

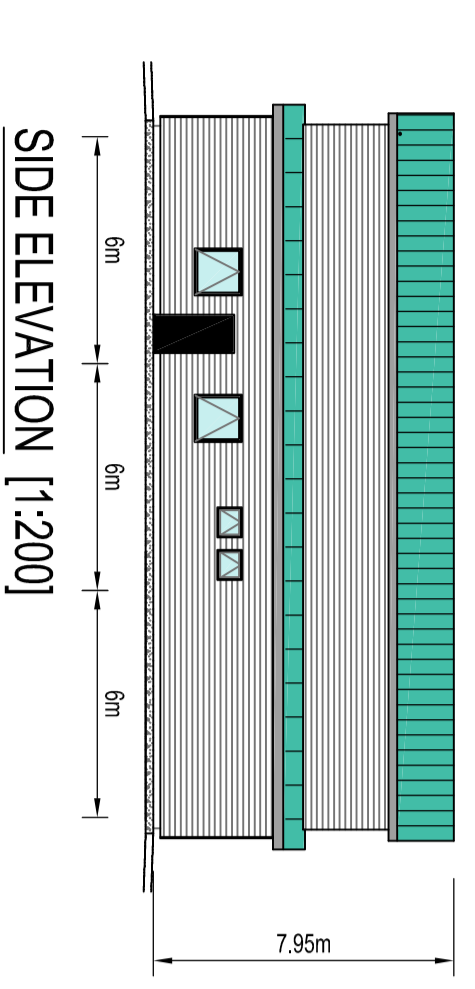
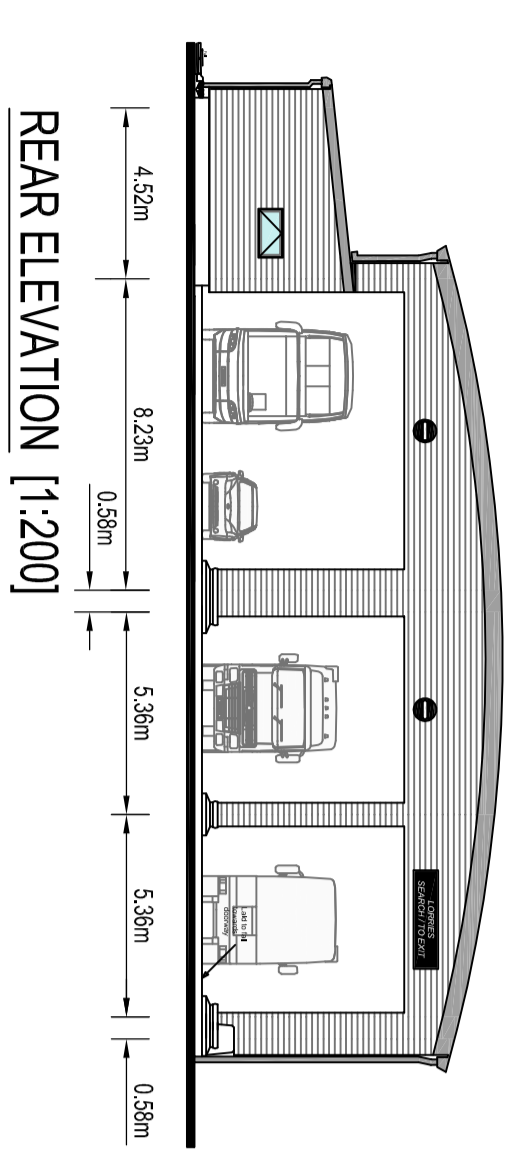
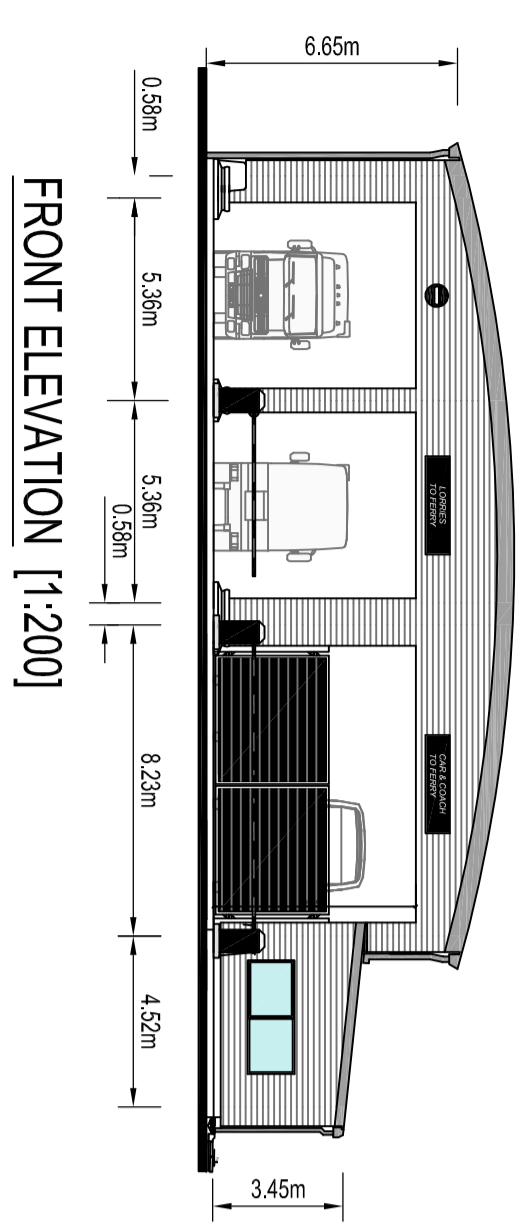
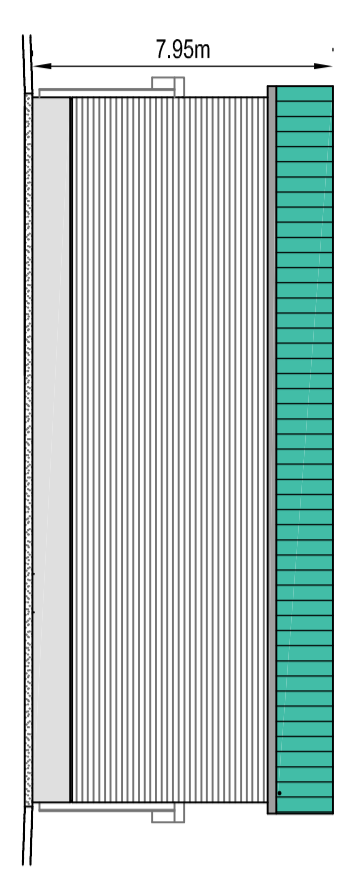
SCOTTISH EXECUTIVE.
 LOCH RYAN PORT
 (HARBOUR EMPOWERMENT) ORDER
 2009

SHEET 11 -
 ENTRANCE SEARCH FACILITY
 BUILDING
 WORK No. 9

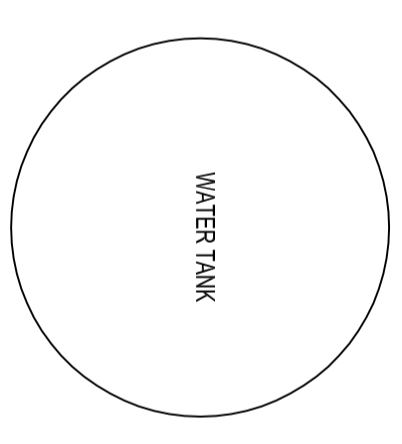
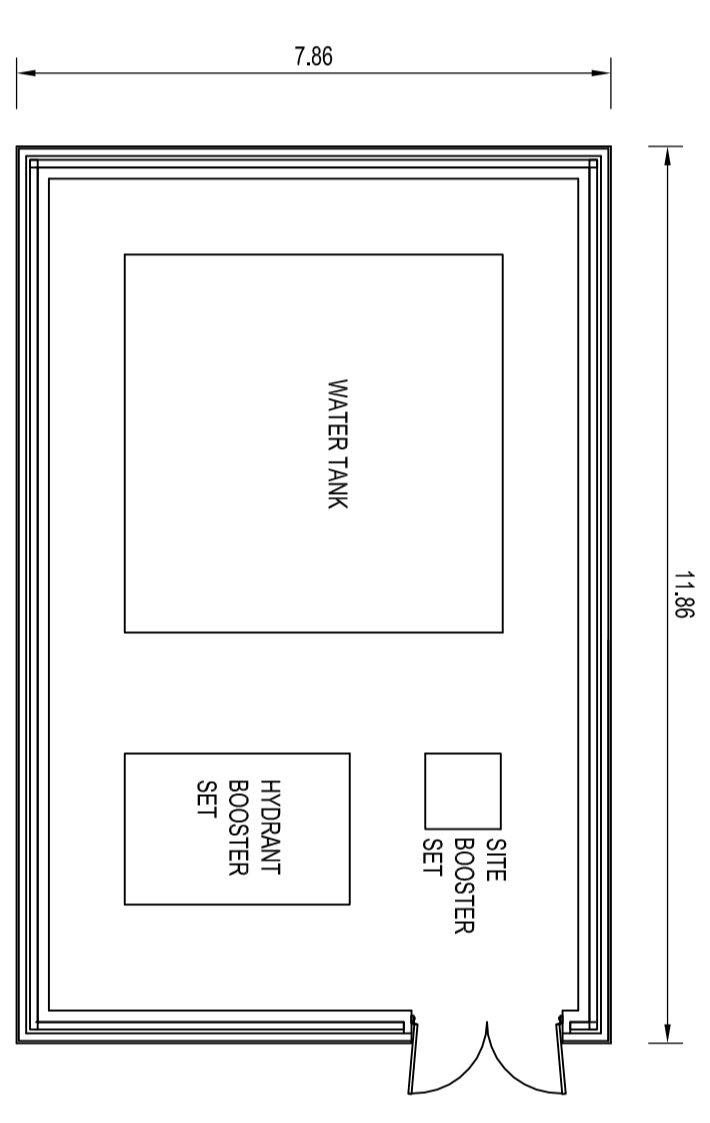
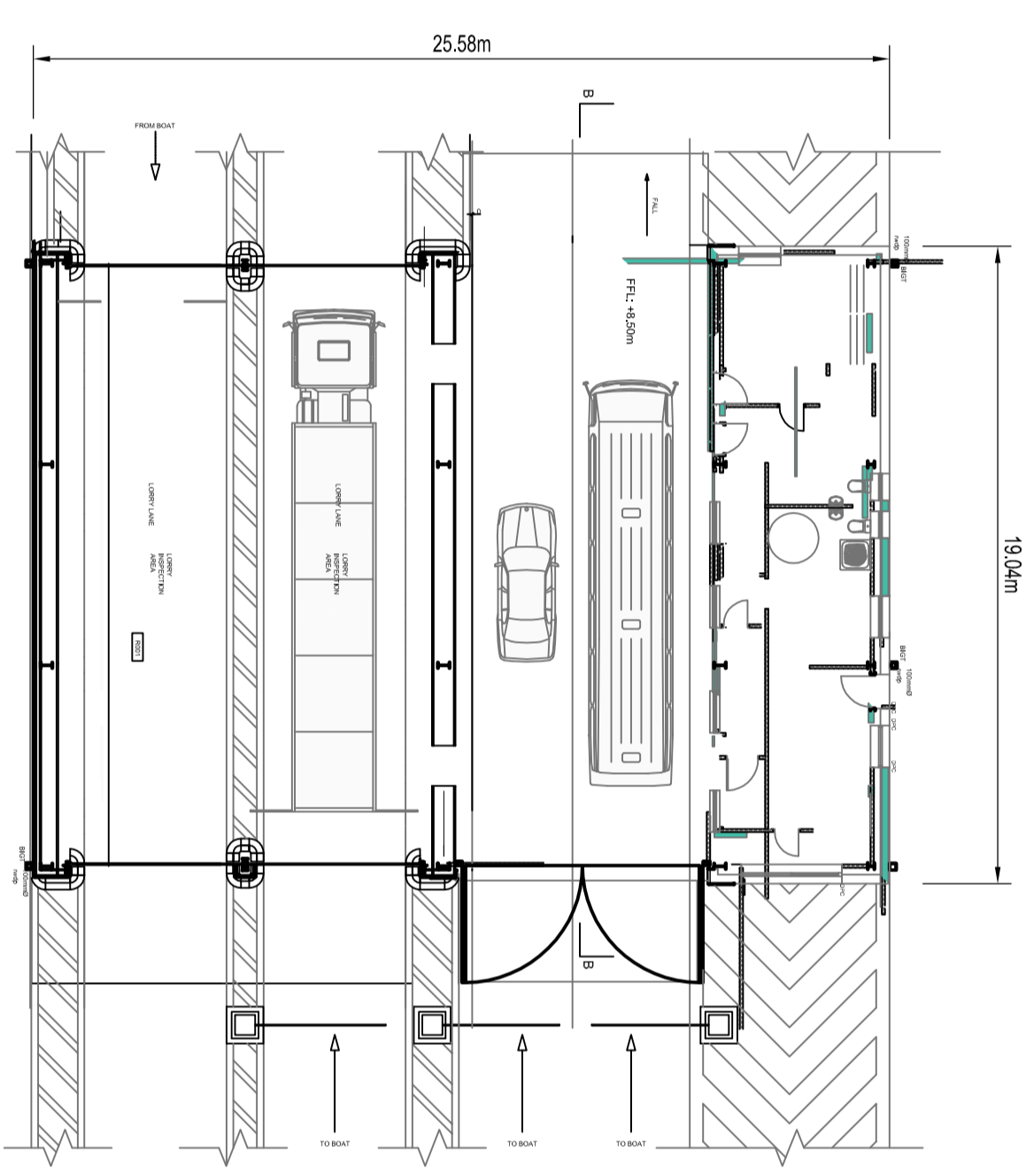
PUMP HOUSE
 WORK No. 10

SECURITY FENCE DETAIL
 WORK No. 11

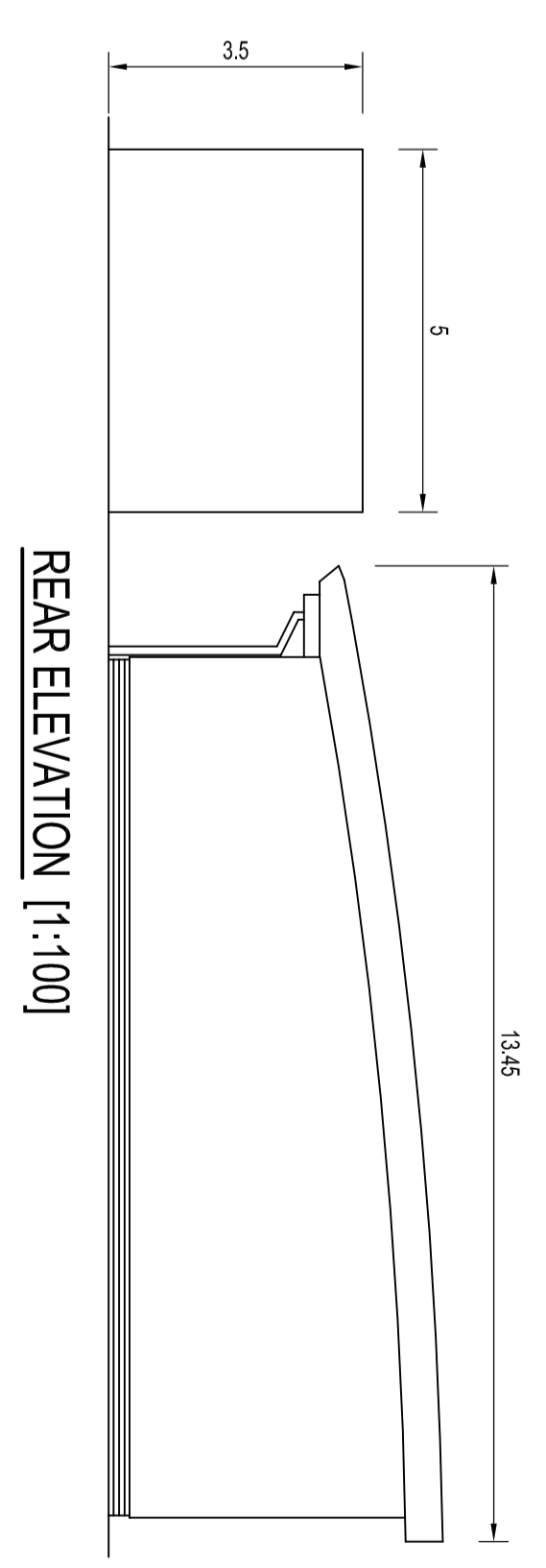
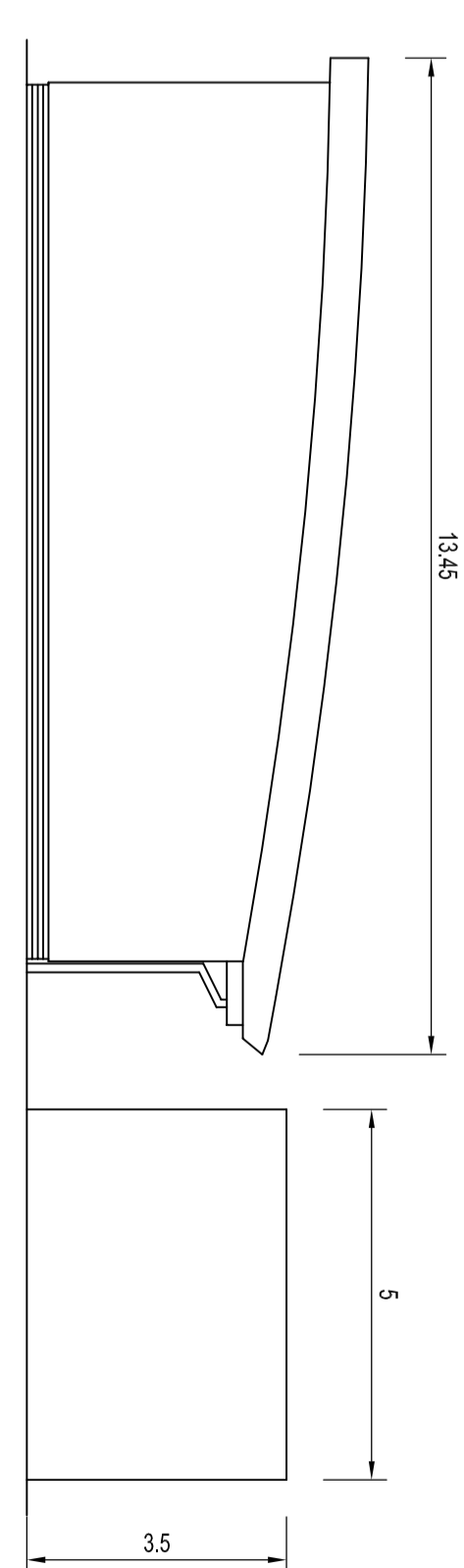
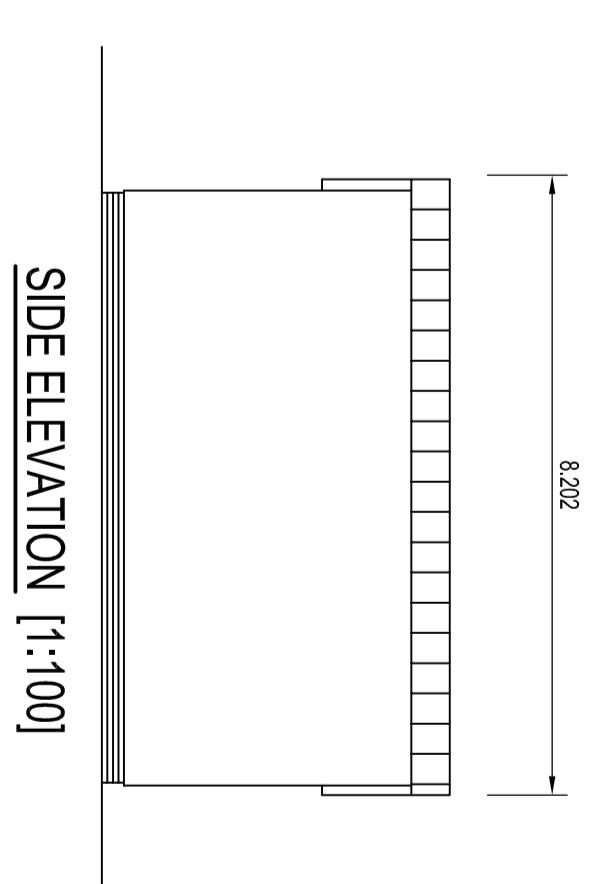
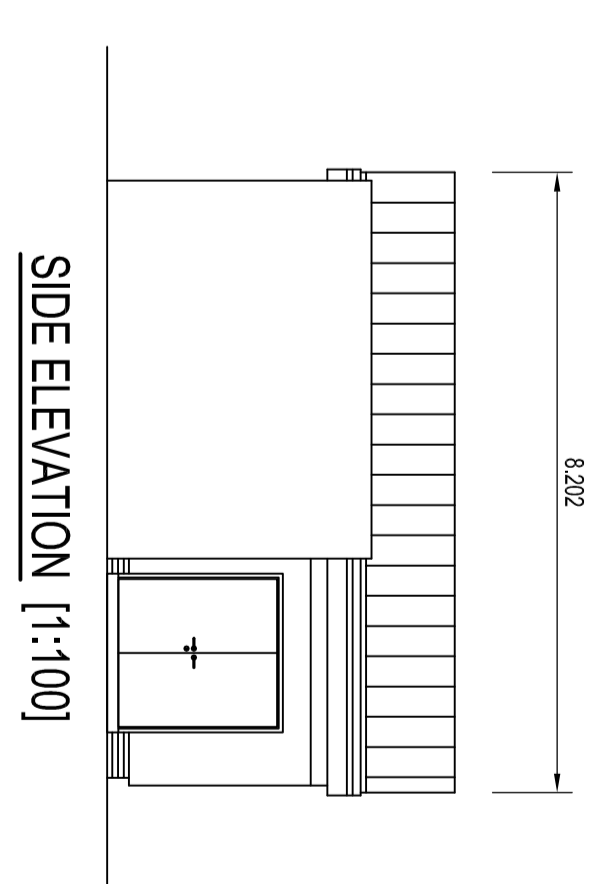
SCALE 1:200



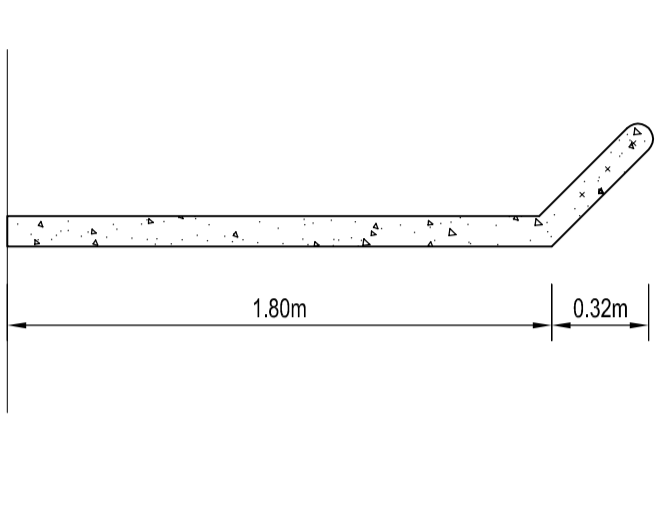
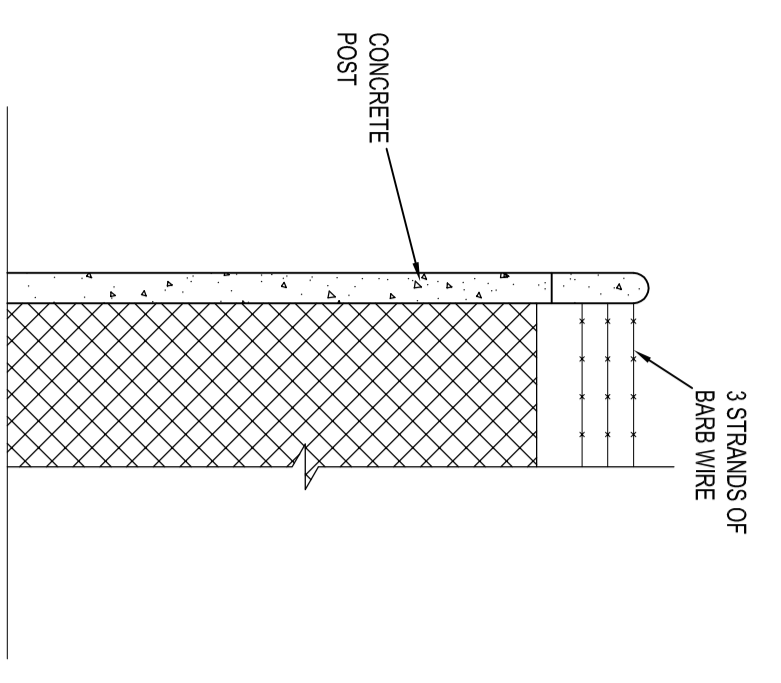
ENTRANCE & EXIT SEARCH FACILITY ELEVATIONS- WORK No. 9



PUMP BUILDING PLAN - WORK No.10 [1:100]



PUMP HOUSE ELEVATIONS - WORK No.10



TYPICAL ELEVATION OF SECURITY FENCE [1:25]

TYPICAL SECTION OF SECURITY FENCE [1:25]

WORK No.11